

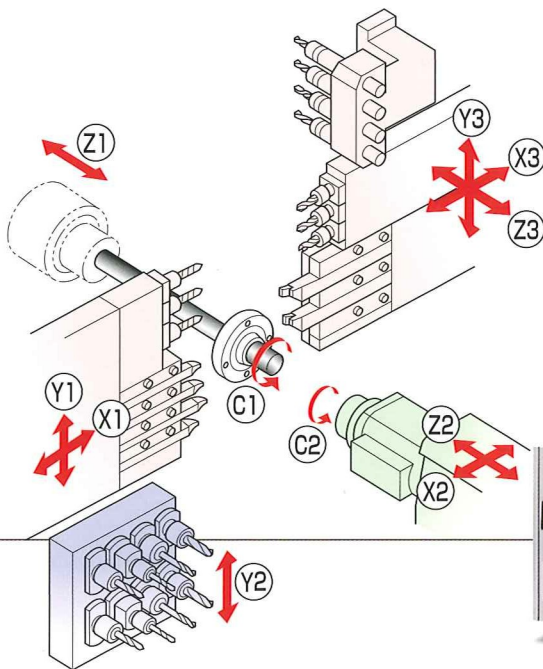
*The mechanical and control systems are designed to minimize non-cutting time to the utmost level.*

*The tool post (with Y-axis control function), exclusively designed for sub spindle working, allows many complex features to be machined independently whilst being overlapped with front end working operations.*

**SWISS TYPE AUTOMATIC LATHE**  
equipped with star motion control system

**SW-20**

*A new model to transform the productivity in complex working*



**The Pursuit of reduced idle times both mechanically and electrically through the latest software allow complex components to be manufactured in the fastest possible times to improve both production output & profitability.**

### High Productivity

- Simultaneous machining (turning + drilling, etc.) by opposing plattens leads to shortened machining time.
- The 8-spindle tool post (with Y-axis control function) exclusively designed for back end working. Front and rear end working are independently controlled to greatly reduce machining time.
- The Star Motion Control System ensures an uninterrupted tool path.
- Elimination of hydraulic pressure (by introducing an electric drive) to reduce idle time between each axis operation.
- The collets can be opened and closed even during high-speed operation to again help reduce non-cutting time at the time of spindle acceleration/deceleration.

### Machining Capabilities

- A tool post (with Y-axis control function) exclusively designed for 8-spindle back working is mounted. A cross milling unit, when optionally mounted, ensures diverse complex machining on the back end.
- By supplying the motor on the sub spindle with the same power as the main spindle, the freedom to programme efficiently is improved.
- By combining a high-pressure coolant unit (optional), difficult to machine materials can also be machined whilst still achieving high levels of productivity.

### Operability

- A variety of new functions, such as manual handle retracting, program check, code help, alarm help and others are added to help the operator.

**An opposing gang-type tool post and a tool post (with Y-axis control function) exclusively designed for back end working ensures ultra-quick and flexible machining of complicated components.**



■ Standard Machine Specifications OP : Option

Item		Specifications
Max. machining diameter		φ20mm(25/32in)
Max. headstock stroke Standard		205mm(8in)
Tool post configuration	Front	Turning tool + Power-driven tool
	Rear	Turning tool+End working stationary tool+Power-driven tool
Tool	Number of tools	Front 4 tools Rear 2 tools
	Tool shank	□12mm : OP / □16mm : OP
4-spindle sleeve holder	Number of tools	Front 4 tools : OP Rear 2 tools(Max.4 tools) : OP
	Max. drilling capability	φ10mm(25/64in)
	Max. tapping capability	M8×P1.25
Power-driven att.	Number of tools	Front 3 tools : OP Rear 3 tools : OP
	Max. drilling capability	φ8mm(5/16in)
	Max. tapping capability	M6×P1.0
	Max. milling capability	φ10mm(25/64in)
	Max. slotting capability	1.5mm(W)×4mm(D)
Main spindle indexing angle		C-axis control
Main spindle speed		Max.10,000min <sup>-1</sup>
Main spindle motor		Built-in motor drive 2.2kw(continuous)/3.7kw(10min./25%ED)
Rapid feed rate		35m/min <sup>-1</sup> (X2,Z1,Z2,Y1,Y3), 20m/min <sup>-1</sup> (X1,Y2,X3,Z3)
Power-driven att. spindle speed		Max.8,000min <sup>-1</sup>
Power-driven att. drive motor		1.0kw(continuous)/1.2kw(5min./30%ED)
Coolant tank capacity		118ℓ
Dimensions (W×D×H)		2,588×1,150×1,765mm
Center height		1,040mm(3.41ft)
Weight		3,500kg

■ Standard Accessories and Functions

- CNC unit FANUC 31i-B5
- Operation panel 10.4-inch color LCD display
- Drive unit for revolving guide bush
- C-axis control unit (Main/Sub)
- Spindle clamp unit (Main/Sub)
- Tool rotation drive unit (for the tool posts 1 and 2)
- 4-Spindle sleeve holder
- Back 8-Spindle unit
- Drive unit for power-driven attachment B
- Automatic centralized lubrication unit
- Door interlock system
- Coolant level detector (lower limit)
- Broken cutoff tool detector
- Leakage breaker
- Air purge for revolving guide bush
- Pneumatic unit
- Sub spindle air purge unit
- Work light
- Parts separator

■ Optional Accessories and Functions

- Revolving guide bush unit
- Collet (Main/Sub)
- 2-station tool holder (□12mm/□16mm)
- 4-station tool holder (□12mm/□16mm)
- Parts conveyor
- Parts ejector A (Air cylinder type)
- Parts separator unit A
- Barstock gripping unit
- Parts ejector with guide tube
- Parts stopper unit
- Coolant unit 1.5MPa
- Coolant unit 6.5MPa
- Coolant pipings
- Main spindle inner tube
- Coolant flow detector
- Parts ejection detector
- Sub spindle air blow unit
- Warning light
- Water removal unit
- Compliant with the RS-232C interface

■ Standard Machine Specifications

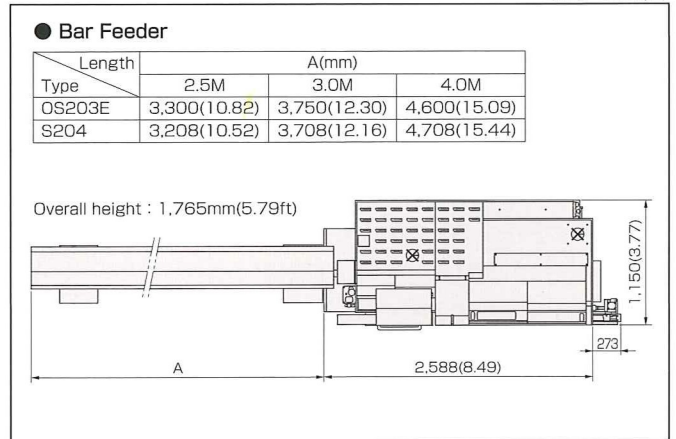
Item		Specifications
Max. chucking diameter		φ20mm(25/32in)
Max. length for front ejection		80mm(3-5/32in)
Max. parts projection length		30mm(1-3/16in)
Number of tools		8 tools
Back 8-Spindle unit	Max. drilling capability Stationary tool	φ10mm(25/64in)
	Power driven tool	φ8mm(5/16in)
	Max. tapping capability Stationary tool	M8×P1.25
	Power driven tool	M6×P1.0
Sub spindle indexing angle		C-axis control
Sub spindle speed		Max.10,000min <sup>-1</sup>
Sub spindle motor		Built-in motor drive 2.2kw(continuous)/3.7kw(10min./25%ED)
Power-driven att. spindle speed		Max.8,000min <sup>-1</sup>

(Note)  
The machining capacities apply to SUS303 material. The machining capacities may differ from listed values depending on the machining conditions, such as the material to be machined or the tools to be used.

※Design features, specifications and technical execution are subject to change without prior notice.

※This product is an export control item subject to the foreign exchange and foreign trade laws. Thus, before exporting this product, or taking it overseas, contact your STAR MICRONICS dealer.

■ External Dimensions and Floor Space unit : mm(ft)



# STAR MICRONICS CO., LTD.

**Machine Tools Division**

1500-34 Kitanoya, Misawa, Kikugawa, Shizuoka, 439-0023 Japan

America, Europe Sales TEL.+81-537-36-5594 FAX.+81-537-36-5607

Asia Sales TEL.+81-537-36-5574 FAX.+81-537-36-5607

**Star CNC Machine Tool Corporation**  
123 Powerhouse Road, Roslyn Heights, NY 11577, U.S.A.  
TEL.+1-516-484-0500 FAX.+1-516-484-5620

**Star Micronics GB Limited**  
Chapel Street, Melbourne, Derbyshire DE73 8JF, U.K.  
TEL.+44-1332-86-44-55 FAX.+44-1332-86-40-05

**Star Micronics GmbH**  
Robert-Grob-Str. 1, D-75305 Neuenbürg, Germany  
TEL.+49-7082-7920-0 FAX.+49-7082-7920-20

**Star Micronics AG**  
Lauetstrasse 3, CH-8112 Otelfingen, Switzerland  
TEL.+41-43-411-60-60 FAX.+41-43-411-60-66

**Star Machine Tool France SAS**  
55 Avenue du Mont Blanc, F-74950 Scionzier, France  
TEL.+33-450-96-05-97 FAX.+33-450-96-91-54

**Shanghai Xingang Machinery Co., Ltd.**  
229 Fute Road(N) Waigaoqiao F. T. Z. Shanghai 200131, P.R.China  
TEL.+86-21-5868-2100 FAX.+86-21-5868-2101

**Star Micronics (Thailand) Co., Ltd.**  
26/59 1st&3rd Floor, M7 Soi Kingkaew 62/2 Kingkaew Road, T.Pachathewa A Bangkok Samutprakarn 10540  
TEL.+66-(0)2-175-1923-25 FAX.+66-(0)2-175-1926



<http://www.star-m.jp/eng/>