

NEW model

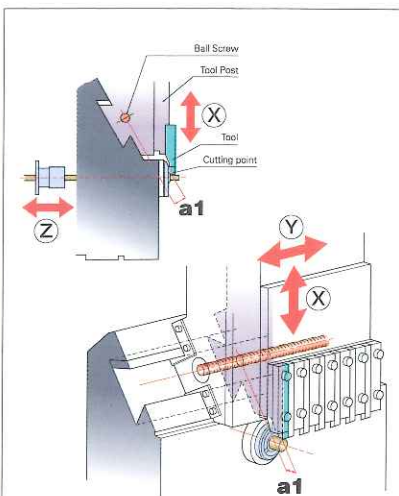
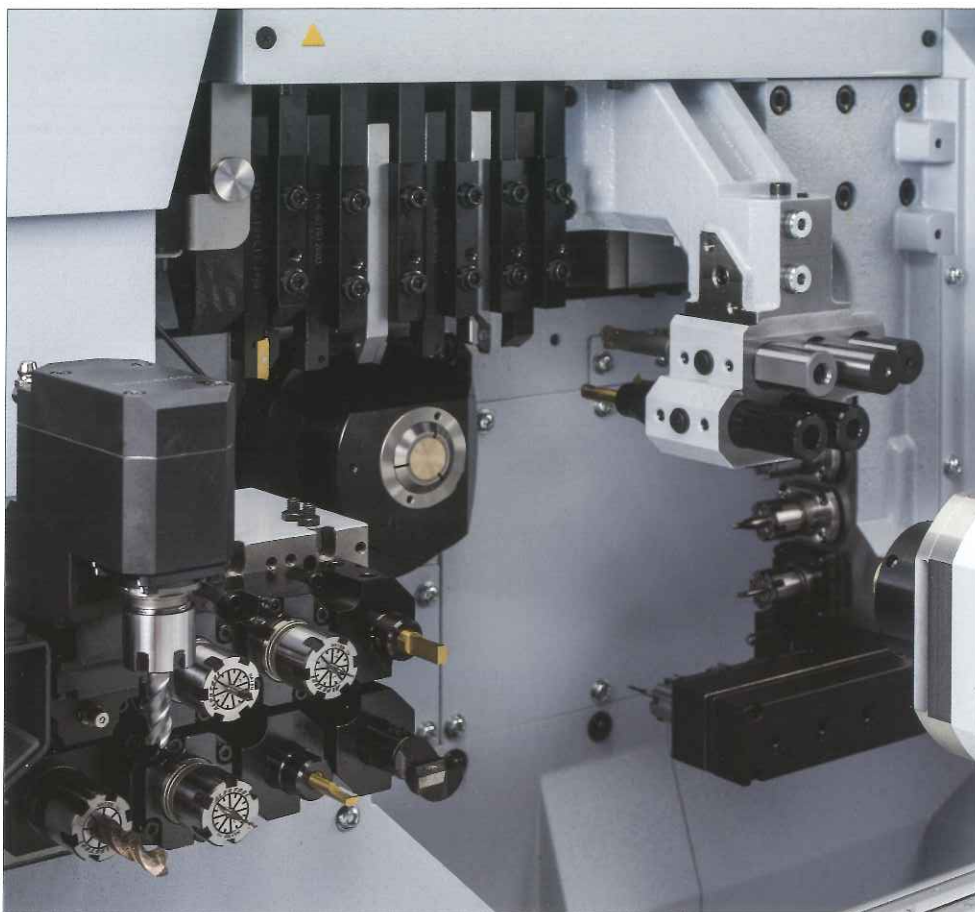
star 

CNC SWISS TYPE AUTOMATIC LATHE 

SR-20JII



Ever-Evolving SR-20JII with Versatile Features to Respond to Varied Needs



Slanted slide guideway structure

High rigidity tool post

The Y-axis slideway of the tool post incorporates a slanted dovetail structure.

The X and Y-axis slideways are positioned close to the cutting point, which improves machine rigidity and stability. In addition, a straight line, passing through the ball screw center which is parallel to the Y-axis slideway and the cutting point are close to each other (a1), reducing the moment load caused by cutting resistance and thereby improving rigidity.

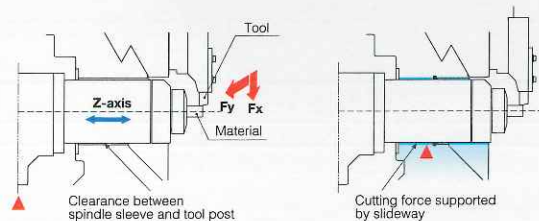
High Rigidity and High Accuracy

- A rigid gang-type tool post with a slant-type slide guideway structure is mounted for front working. A slanted dovetail guideway is introduced for both the Y1 and X1 axes.
- A highly rigid spindle sleeve slideway structure is used in N.G.B. type to further increase rigidity.

High rigidity head stock for non-guide bush type

● Original non-guide bush type

● Spindle Sleeve Slideway Structure



- A slanted dovetail structure is incorporated in the type B Y2 slideway to further improve rigidity of the backworking tool post.
- The main and sub spindles employ a built-in structure to enhance spindle indexing accuracy.

High Function and Machining Ability

- The G.B. and N.G.B. change-over mechanism is introduced.
- The sub spindle motor and power tool motor have higher output power (when compared with SR-20J).
(Sub spindle) 1.5/2.2kW → 2.2/3.7kW
(Power tool) For cross: 1.2kW → 2.2kW, For back working: 0.5kW → 1.0kW
- The 5-spindle cross drilling unit includes two types.
 - ① Three tools especially for cross drilling (ER16) + 2-position cartridge
 - ② Three tools especially for cross drilling (ER20x1, ER16x2) + 2-position cartridge
- Type A is equipped with a 4-spindle type and Type B is equipped with a Y-axis control/8-spindle type back working tool post. A power tool unit can be accommodated at all positions for both type A and B.
- The backworking tool post now features increased pitch centers for $\phi 20$ mm-OD turning without interference with the other tool stations.
- Materials of up to $\phi 23$ mm can be optionally supplied.

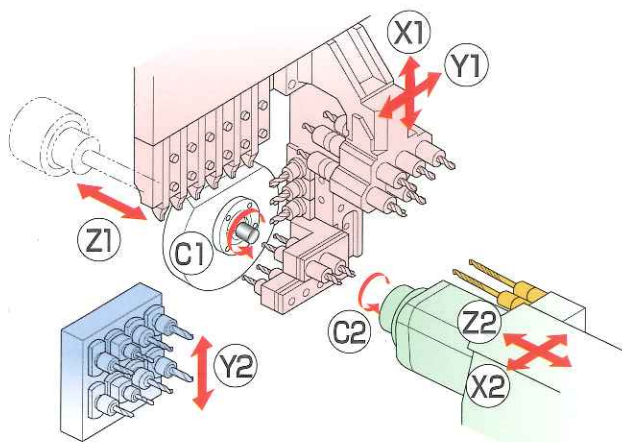
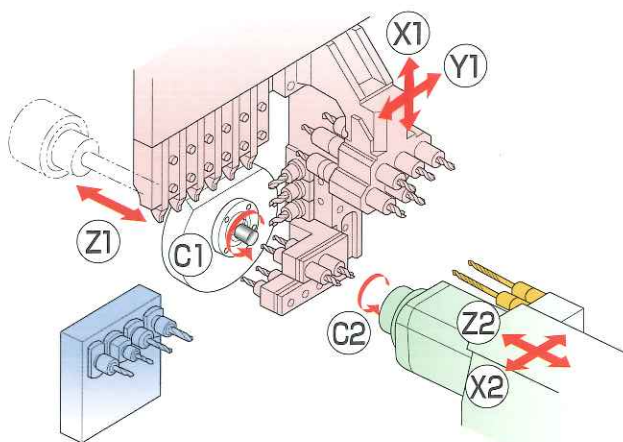
Operability and Workability

- Design features combining a large up and over door, reduced distance from the machine front to the guide bush, and a lowered threshold height into the working area further enhances the operator's accessibility.
- The movable operation panel enable operation at the best position suited to the operator.

Tool Post Control Axis

type A

type B



Model variations are available to achieve a single ideal machine with selected optimum functions.

The latest model SR-20JII has two types A and B to respond to customers requirements for increased flexibility. By flexibly combining required functions and selecting a single ideal machine, the optimum machine configuration is achieved to contribute to the manufacturing at each user plant.

01

5-spindle cross drilling unit ER16

- ER16×3tools
- Cartridge type 2Pos.

4-spindle back working unit

02

5-spindle cross drilling unit ER16/20

- ER20×1tool, ER16×2tools.
- Cartridge type 2Pos.

4-spindle back working unit

type A

03

5-spindle cross drilling unit ER16

- ER16×3tools
- Cartridge type 2Pos.

8-spindle back working unit with Y-axis control function

04

5-spindle cross drilling unit ER16/20

- ER20×1tool, ER16×2tools.
- Cartridge type 2Pos.

8-spindle back working unit with Y-axis control function

type B

□ Standard Machine Specifications

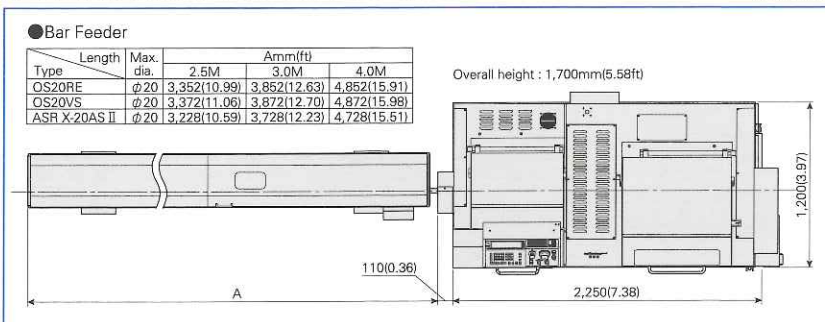
Item	Specifications	
Max. machining diameter	φ20mm(25/32in) OP : φ23mm(29/32in)	
Max. headstock stroke	Standard	205mm(8in)
	R.M.G.B. type	160mm(6-19/64in)
	N.G.B.type	Bar diameter×2.5(Max.50mm) (Max.1-31/32in)
Tool	Number of tools	6 tools
	Tool shank	□12mm
5-spindle sleeve holder	Number of tools	Front 5 tools
		Rear 5 tools
	Max. drilling capability	φ12mm(1/2in)
2-spindle front sleeve holder	Max. tapping capability	M10×P1.5
	Number of tools(sleeve)	2 tools
	Max. drilling capability	φ10mm(25/64in)
Power driven attachment	Max. depth of hole	100mm(3-15/16in)
	Number of tools	Cross milling 3 tools(ER16)+ Cartridge type 2Pos. Cross milling 3 tools(ER20×1, ER16×2)+ Cartridge type 2Pos.
	Max. drilling capability	φ10mm(25/64in)
Rapid feed rate	Max. tapping capability	M8×P1.25
	Spindle speed	Max.8,000min ⁻¹
	Drive motor	2.2kW
Main spindle indexing angle	35m/min(X1, X2, Y1, Z1, Z2), 24m/min(Y2) : type B only	
Main spindle speed	C-axis control	
Main spindle motor	Max.10,000min ⁻¹	
Coolant tank capacity	2.2kW(continuous) / 3.7kW(10min./25%ED)	
Dimensions (W×D×H)	202ℓ	
Weight	2,250×1,200×1,700mm	
Power consumption	2,750kg	
A-weighted sound pressure : note-1	4.8kVA	
	Max.74.0dB	

□ Backworking Attachment Specifications

Item	Specifications	
Max. chucking diameter	φ20mm(25/32in) OP : φ23mm(29/32in)	
Max. length for front ejection	100mm(3-15/16in)	
Max. parts projection length	30mm(1-3in/16in)	
Unit especially for backworking	Number of tools	4 tools(type A) 8 tools(type B)
	Max. drilling capability	Stationary tool φ12mm(1/2in) Power driven tool φ6mm(15/64in)
	Max. tapping capability	Stationary tool M10×P1.5 Power driven tool M5×P0.8
Power-driven att. spindle speed	Max.8,000min ⁻¹	
Power-driven att. drive motor	1.0kW	
Sub spindle indexing angle	C-axis control	
Sub spindle speed	Max.10,000min ⁻¹	
Sub spindle motor	2.2kW(continuous) / 3.7kW(10min./25%ED)	

□ External Dimensions and Floor Space

unit : mm(ft)



Note)

The machining capacities apply to SUS303 material. The machining capacities may differ from listed values depending on the machining conditions, such as the material to be machined or the tools to be used.

note-1 : ● Measures conforming to ISO standard.

● A-weighted sound pressure is a general assessment standard characteristic that corrected the sound level to human acoustic sense.

※Design features, specifications and technical execution are subject to change without prior notice.
 ※This product is an export control item subject to the foreign exchange and foreign trade laws. Thus, before exporting this product, or taking it overseas, contact your STAR MICRONICS dealer.

STAR MICRONICS CO., LTD.

Machine Tools Division

1500-34 Kitanoya, Misawa, Kikugawa, Shizuoka, 439-0023 Japan

America, Europe Sales TEL.+81-537-36-5594 FAX.+81-537-36-5607

Asia Sales TEL.+81-537-36-5574 FAX.+81-537-36-5607

Star CNC Machine Tool Corporation

123 Powerhouse Road, Roslyn Heights, NY 11577, U.S.A.
 TEL.+1-516-484-0500 FAX.+1-516-484-5820

Star Micronics GB Limited

Unit 1 Riverlands Business Park Raynesway DERBY DE21 7BZ
 TEL.+44-1332-86-44-55 FAX.+44-1332-86-40-06

Star Micronics GmbH

Robert-Grob-Str.1.D-75305 Neuenbürg, Germany
 TEL.+49-7082-7920-0 FAX.+49-7082-7920-20

Star Micronics AG

Lautstrasse3, CH-8112 Otelfingen, Switzerland
 TEL.+41-43-411-60-60 FAX.+41-43-411-60-66

Star Machine Tool France

90 Allée de Glaisy, ZI 74300 Theyez Haute Savoie, France
 TEL.+33-450-96-05-97 FAX.+33-450-96-91-54

Shanghai Xingang Machinery Co., Ltd.

2F, 229 Fute Rd.N. The China (Shanghai) Pilot Free Trade Zone
 TEL.+86-21-5868-2100 FAX.+86-21-5868-2101

Star Micronics (Thailand) Co., Ltd.

289/23 M.13 Soi Kingkaew 25/1, Kingkaew Rd., T.Rachathewa A.Bangplee Samutprakarn 10540, Thailand
 TEL.+66-2-186-8945-47 FAX.+66-2-183-7845

□ Standard Accessories and Functions

- CNC unit FANUC 32i-B
- Operation panel 10.4-inch color LCD display
- Pneumatic unit
- Coolant level detector
- Automatic centralized lubrication unit
- Door interlock system
- Cs contouring control (Main/Sub)
- Spindle clamp unit (Main / Sub)
- Revolving guide bush unit
- Drive unit for revolving guide bush
- Air purge for revolving guide bush
- Main / Sub collet
- 6-station tool holder □12mm
- Cross drilling unit (Gang type tool post)
- 5-spindle sleeve holder
- Broken cutoff tool detector
- Backworking attachment
- Back 4-spindle unit ※Type A
- 8-spindle backworking unit with Y axis control function ※Type B
- Parts conveyor
- Sub spindle air purge unit
- Sub spindle air blow unit
- Drive unit for power-driven attachment B (4-spindle backworking unit) ※Type A
- Drive unit for power-driven attachment (8-spindle backworking unit) ※Type B
- Work light
- Leakage breake

□ Optional Accessories and Functions

- Coolant flow detector
- Water removal unit
- Oil mist filter
- Beacon
- Main spindle inner tube
- Feed arrow steady rest
- Rotary magic guide bush unit
- Non-guide bush type
- Parts ejector (Spring type)
- Parts ejector (Air cylinder type)
- Parts ejector with guide tube
- Parts stopper unit
- Coolant unit (6.9MPa/2.5MPa/0.7MPa)
- Coolant unit signal cable
- Coolant unit power cable
- Coolant valve
- Coolant pipings
- Automatic bar feeder interface
- LAN/RS232C interface
- Transformer
- Transformer CE marking version
- CE marking specifications

9001 ISO 14001
 CERTIFIED

<http://www.star-m.jp/eng/>

2017.09_Ver1.0_1